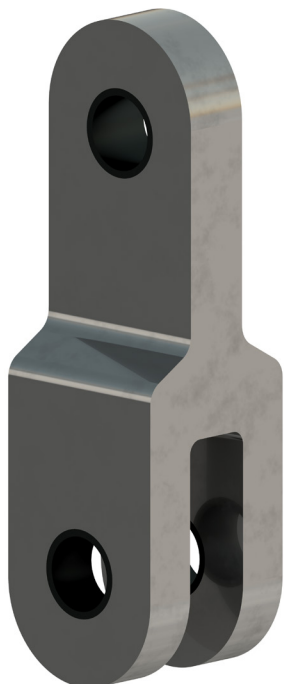


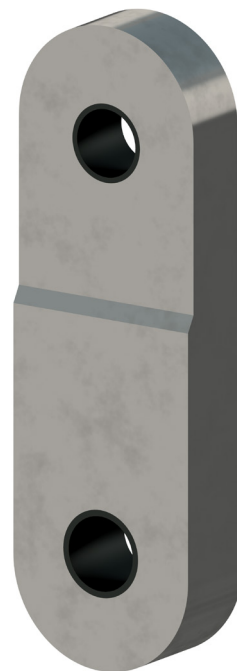
CHASEBLOCKS



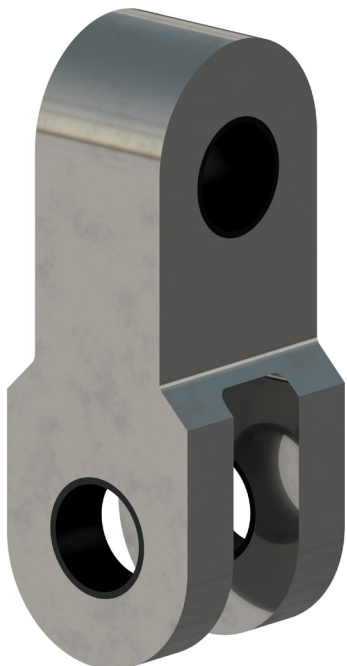
**INLINE
JAW AND TANG
CHASEBLOCK**

All chaseblocks and link plates are tailored to the specific application. Chaseblocks are customized to each specific SWL, pin diameter, mating component and client specification.

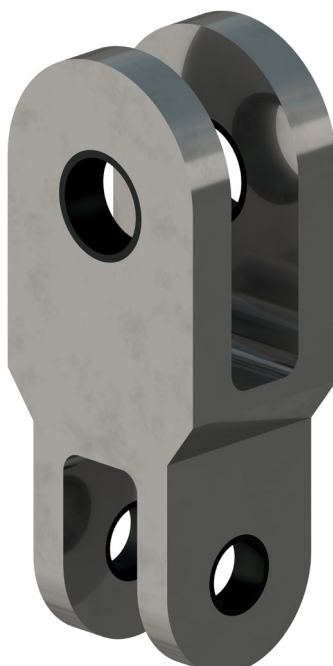
For many years, Tufnol has been a popular material choice for bushings in mine rope attachments. More recently, RBD has had great success with the implementation of engineered thermopolymer bushings which exhibit exceptionally low coefficients of friction and self-lubricating properties.



**INLINE
TANG AND TANG
LINK PLATE**



**90°
JAW AND TANG
CHASEBLOCK**



**90°
JAW AND JAW
CHASEBLOCK**



**90°
TANG AND TANG
CHASEBLOCK**