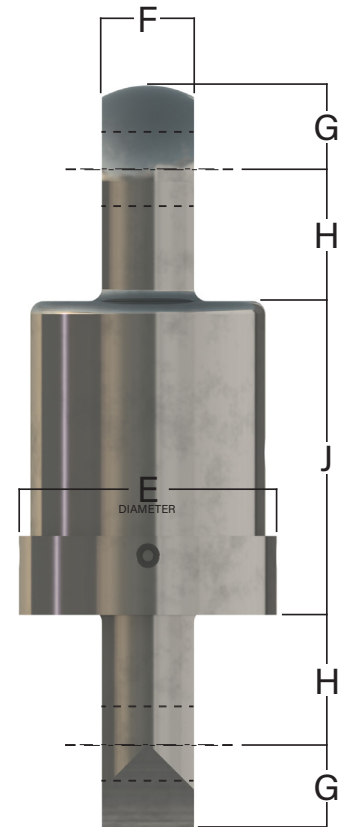
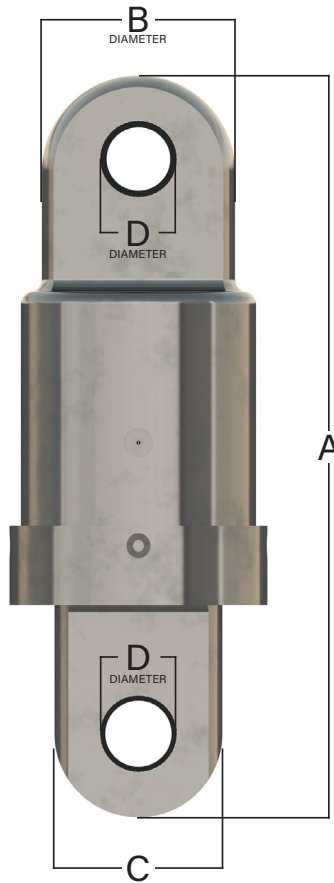


BALANCE ROPE SWIVELS



DIMENSIONS & DATA

SAFE WORKING LOAD SF = 10:1	A	B	C	D	E	F	G	H	J	APPROX WEIGHT
	in	in	in	in	in	in	in	in	in	lb
tonf										
3	9 33/64	3	2 5/8	1 9/32	3 7/8	1 3/8	1 5/16	2 1/4	5 1/2	20
5	11 1/64	3 3/4	3 3/8	1 21/32	4 3/4	1 7/8	1 11/16	2 1/4	6 1/2	45
10	17	5 3/4	5 3/4	2 9/32	7	2 3/4	2 1/2	4	9	125
15(L)	22	7	7	3 1/32	8 1/2	3 5/8	3	5 1/4	11 1/2	238
15(H)	23 1/4	7	7	3 1/32	10	3 5/8	3	5 1/4	12 3/4	342
20	26 3/4	9	9	3 17/32	11 1/4	4 1/2	4	6	15	560

ton = 2240 lb