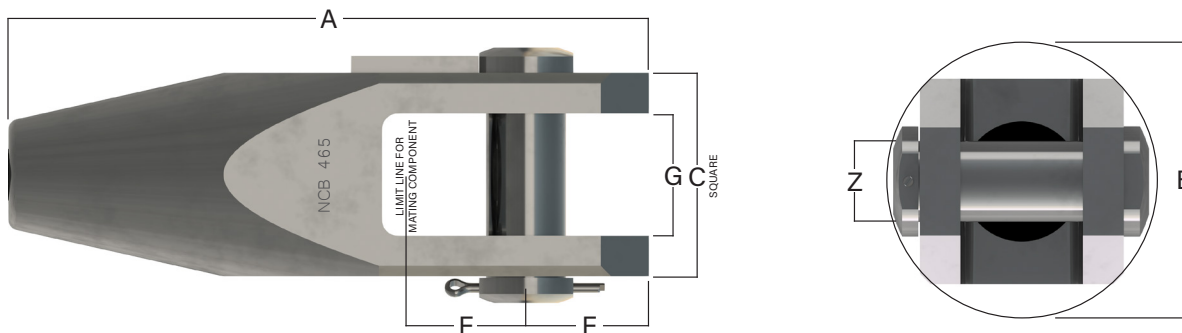


HOIST ROPE SOCKETS



DIMENSIONS & DATA

SOCKET ID	SAFE WORKING LOAD		PROOF LOAD	A	B	C	F	G	Z	APPROX WEIGHT	
	ROPE Ø	tonf									tonf
M10	5/8	3.35	8	8 1/2	3 3/4	2 3/4	1 5/8	1 21/32	1 1/16	9.5	
M11	11/16	4.24	16	9 1/4	5	3 3/4	1 3/4	2 1/4	1 1/2	20	
M12	3/4	4.74		9 7/8			1 7/8				21
M13	13/16	5.78		10 3/4			2 1/16				22
M14	7/8	6.35		11 5/8			2 1/4				25
M15	15/16	7.55	27	12 1/2	6 3/8	4 3/4	2 7/16	2 27/32	1 7/8	42	
M16	1	8.87		13 3/8			2 9/16				44
M17	1 1/16	9.57		14 1/8			2 11/16				46
M18	1 1/8	11.03		15			2 7/8				48
M19	1 3/16	11.81	40	15 3/4	7 3/4	5 3/4	3	3 15/32	2 5/16	78	
M20	1 1/4	13.45		16 1/2			3 3/16				82
M21	1 5/16	14.29		17 1/4			3 5/16				84
M22	1 3/8	16.15		18 1/4			3 1/2				86
M23	1 7/16	18.00	56	19	9	6 7/8	3 5/8	4 1/16	2 3/4	130	
M24	1 1/2	18.92		19 3/4			3 3/4				132
M25	1 9/16	21.07		20 5/8			3 15/16				137
M26	1 5/8	22.00		21 1/2			4 1/8				141
M27	1 3/8	24.30	74	22 1/4	10 1/2	7 7/8	4 1/4	4 5/8	3 1/8	195	
M28	1 3/4	26.61		23 1/8			4 3/8				202
M29	1 13/16	27.84		23 7/8			4 1/2				210
M30	1 7/8	30.30		24 3/4			4 11/16				220
M31	1 15/16	31.54	90	25 5/8	11 1/2	8 7/8	4 7/8	5 7/32	3 9/16	280	
M32	2	34.15		26 1/4			5				290
M33	2 1/16	36.92		27 1/8			5 3/16				300
M34	2 1/8	38.30		28			5 5/16				310
M35	2 3/16	41.23	118	28 3/4	12 3/4	9 7/8	5 7/16	5 25/32	4	350	
M36	2 1/4	42.61		29 7/8			5 5/8				412
M37	2 5/16	45.23		30 3/8			5 3/4				475
M38	2 3/8	46.77		31 1/4			5 15/16				525
M39	2 7/16	49.84	131	32	13 1/2	10 3/8	6 1/16	6 1/16	4 3/16	595	
M40	2 1/2	53.07		32 3/4			6 3/16				610

ton = 2240 lb

